

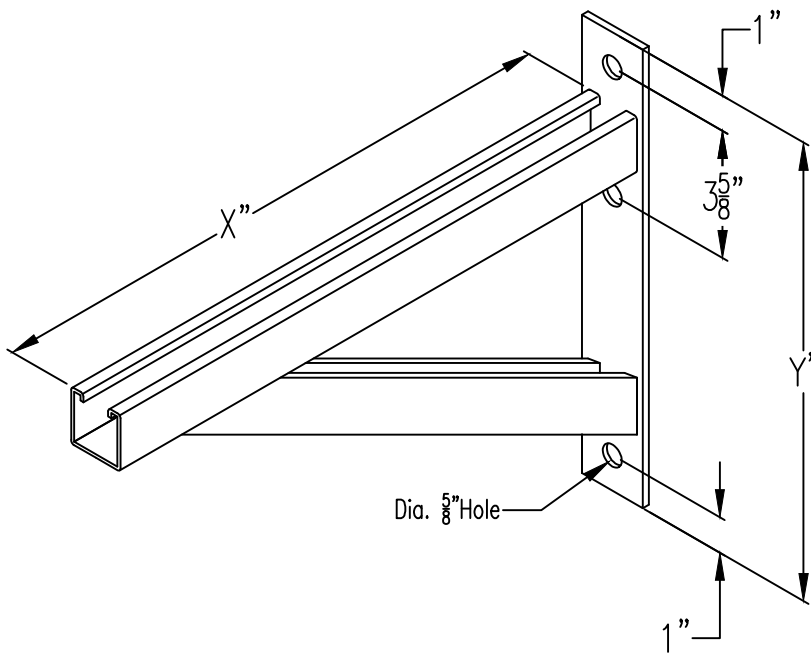
ALUMINUM LADDER TRAY ACCESSORIES

Cantilever Wall Bracket

Manufactured in Canada by Niedax CER

- Part No. WB200-X*
- *Specify bracket length in inches
- Material: Steel

ALUM. LADDER TRAY WIDTH (in)	DIMENSION X (in)	DIMENSION Y (in)
6	11	10.125
12	17	13.125
18	23	16.125
24	29	19.125
36	41	25.125



2799 Barton St E
Hamilton, ON L8E 2J8
Toll Free: 1 877.213.8045
Phone: 905.337.7522
Cerinc.ca

