

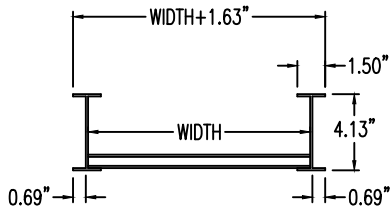
Aluminum Ladder/Ventilated Tray

Horizontal CROSS (4"H)

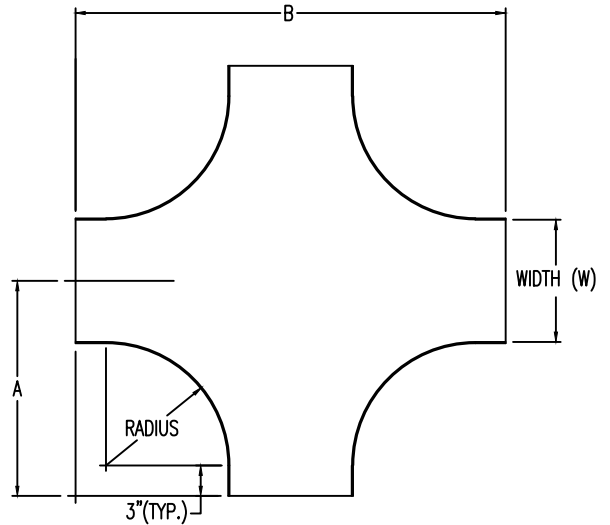
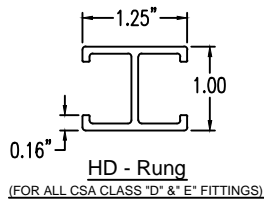
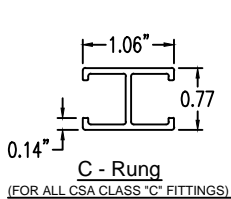
HORIZONTAL CROSS (ALUMINUM)
Manufactured in Canada by Niedax CER

Note: Couplings C/W Hardware are supplied with each fitting.

END VIEW

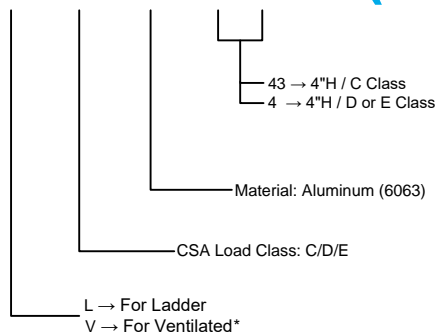


RUNG END VIEWS



ALUMINUM LADDER/VENTILATED TRAY HORIZONTAL TEE FITTING ORDERING DATA EXAMPLE

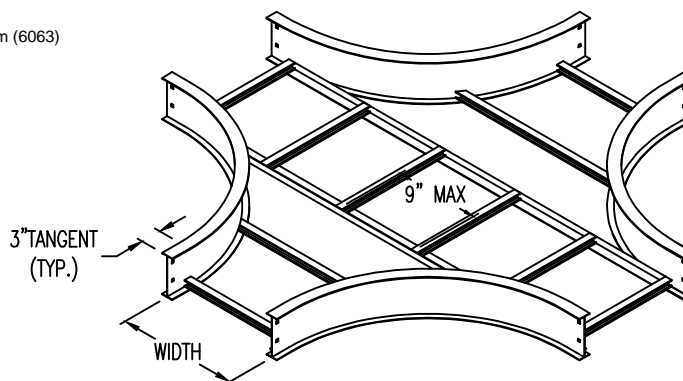
L C A 4 3 - (Width) - X - (Radius)



Width:
(6", 12", 18", 24", 36")
or (custom)

Horizontal Cross Fitting

12R - 12"
24R - 24"
36R - 36"



2799 Barton St E
Hamilton, ON L8E 2J8
Toll Free: 1 877.213.8045
Phone: 905.337.7522
Cerinc.ca

NOTES:

* CSA Ventilated tray has a rung spacing of 4" between rungs.

